

Materials	316L Stainless Steel
Pressure	700 Bar
Ports	1/4" or 1/2"
Element	25.178.□

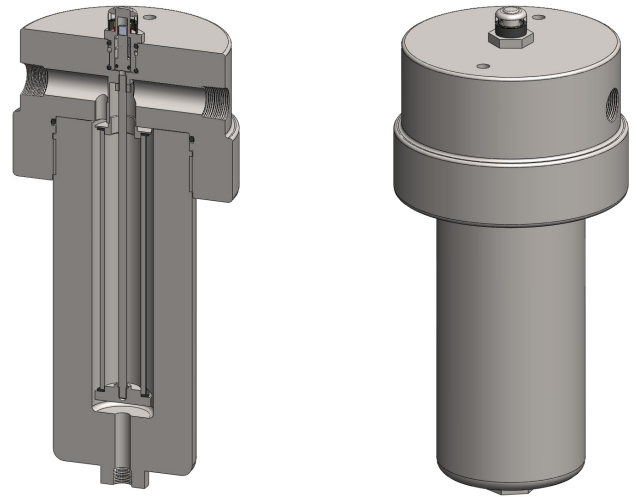
SiS239 series filter housings with differential pressure indicators are specified for 700 Bar 1/4" and 1/2" line size applications where the flow rate or contamination is high, or where service intervals must be kept as long as possible. For lower pressures see the SiS215, SiS216, and SS218 series housings. The SiS239 series offers a more compact design for lower flow rates.

Standard housings have NPT ports and Viton seals. Other seal types are available as an option. BSPT and BSPP port types are also available.

The housings are free from welds and comply with NACE MR-01-75 and are CE marked in accordance with PED 2014/68/EU.

These housings can also be supplied in a wide range of exotic materials, such as Hastelloy, Monel, Titanium etc.

See data sheet CF/2.1/139 for more details about the DPI.



Technical Specifications

Housing Model (1)	SiS239.201	SiS239.221	SiS239.401	SiS239.421	SiS239.441
Port Size	1/4" NPT	1/4" NPT	1/2" NPT	1/2" NPT	1/2" NPT
Drain	None	1/4" NPT	None	1/4" NPT	1/2" NPT
Maximum Pressure, Bar	700	700	700	700	700
Maximum Temperature, °C (2)	100	100	100	100	100
Materials of Construction (3)					
Head, Bowl & Internals	316L SS	316L SS	316L SS	316L SS	316L SS
Magnet (4)	Neodymium	Neodymium	Neodymium	Neodymium	Neodymium
Cover	Acrylic	Acrylic	Acrylic	Acrylic	Acrylic
Seals (5)	Viton	Viton	Viton	Viton	Viton
Filter Element Code (6)	25.178.□	25.178.□	25.178.□	25.178.□	25.178.□
Principal Dimensions in mm					
Diameter	140	140	140	140	140
Height	322.5	322.5	322.5	322.5	322.5
Volume, cc	175	175	175	175	175
Weight, kg	21.6	21.6	21.6	21.6	21.6
Accessories					
Support Core	SC.SS23	SC.SS23	SC.SS23	SC.SS23	SC.SS23
Mounting Bracket	MB.SS219	MB.SS219	MB.SS219	MB.SS219	MB.SS219

Notes

- (1) Change part number to SeS239 for the electrical DPI version
- (2) Maximum temperature 100°C due to differential pressure indicator
- (3) Material abbreviations, 316L SS = 316L Stainless Steel
- (4) The magnet is electroplated with Ni-Cu-Ni
- (5) Add suffix for other seal types, Chemraz = .C, Nitrile = N, Kalrez = .K, EPDM = .E, Silicone = .S, (e.g. SiS239.221.E)
- (6) Replace the □ with the grade required, e.g. 25.178.5CK, 25.178.S20V, 25.178.T20



Contact Us

Classic Filters Ltd.
Sextant Park
Neptune Close
Rochester
Kent
England
ME2 4LU

T +44 (0)1634 724224
F +44 (0)1634 724234
E info@classicfilters.com
W www.classicfilters.com

Follow Us



<http://www.linkedin.com/company/classic-filters-ltd.>



<http://www.twitter.com/classicfilters>