

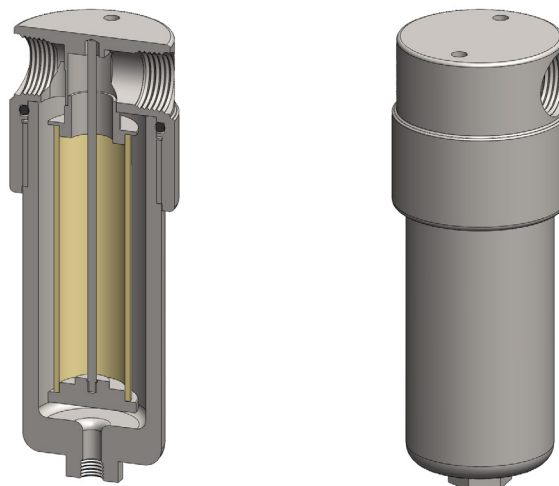
**Materials** 316L Stainless Steel  
**Pressure** 200 Bar  
**Ports** 3/4" or 1"  
**Element** 38.152.□

SS326 series filter housings are specified for 200 Bar 3/4" and 1" line size applications. For applications less than 100 Bar see the SS325 series and for over 200 Bar see the SS328 series.

Standard housings have NPT ports and a Viton seal. Other seal types are available as an option. BSPT and BSPP port types are also available.

The housings are free from welds and comply with NACE MR-01-75 and are CE marked in accordance with PED 2014/68/EU.

These housings can also be supplied in a wide range of exotic materials, such as Hastelloy, Monel, Titanium etc.



## Technical Specifications

Housing Model	SS326.501	SS326.521	SS326.541	SS326.601	SS326.621	SS326.641
Port Size	3/4" NPT	3/4" NPT	3/4" NPT	1" NPT	1" NPT	1" NPT
Drain	None	1/4" NPT	1/2" NPT	None	1/4" NPT	1/2" NPT
Maximum Pressure, Bar (1)	200	200	200	200	200	200
Maximum Temperature, °C (2)	200	200	200	200	200	200
<b>Materials of Construction (3)</b>						
Head, Bowl & Internals	316L SS	316L SS	316L SS	316L SS	316L SS	316L SS
Seal (4)	Viton	Viton	Viton	Viton	Viton	Viton
Filter Element Code (5)	38.152.□	38.152.□	38.152.□	38.152.□	38.152.□	38.152.□
Adsorber Cartridge Code (6)	38.152.AD□	38.152.AD□	38.152.AD□	38.152.AD□	38.152.AD□	38.152.AD□
<b>Principal Dimensions in mm</b>						
Diameter	90	90	90	90	90	90
Height	253	253	253	253	253	253
Volume, cc	670	670	670	670	670	670
Weight, kg	6.2	6.2	6.2	6.2	6.2	6.2
<b>Accessories</b>						
Support Core	SC.SS32	SC.SS32	SC.SS32	SC.SS32	SC.SS32	SC.SS32
Mounting Bracket	MB.SS326	MB.SS326	MB.SS326	MB.SS326	MB.SS326	MB.SS326

### Notes

- (1) Above 200°C the pressure rating is reduced, consult us for the exact rating at any specific temperature
- (2) Maximum temperature 200°C using standard seal. For temperatures up to 324°C use a Chemraz seal
- (3) Material abbreviations, 316L SS = 316L Stainless Steel
- (4) Add suffix for other seal types, PTFE = .T, Chemraz = .C, Nitrile = N, Kalrez = .K, EPDM = .E, Silicone = .S, (e.g. SS326.501.T)
- (5) Replace the □ with the grade required, e.g. 38.152.SCK, 38.152.S20V, 38.152.T20
- (6) Replace the □ with the type required, e.g. 38.152.AD01



## Contact Us

**Classic Filters Ltd.**  
**Sextant Park**  
**Neptune Close**  
**Rochester**  
**Kent**  
**England**  
**ME2 4LU**

**T** +44 (0)1634 724224  
**F** +44 (0)1634 724234  
**E** [info@classicfilters.com](mailto:info@classicfilters.com)  
**W** [www.classicfilters.com](http://www.classicfilters.com)

## Follow Us



<http://www.linkedin.com/company/classic-filters-ltd.>



<http://www.twitter.com/classicfilters>