

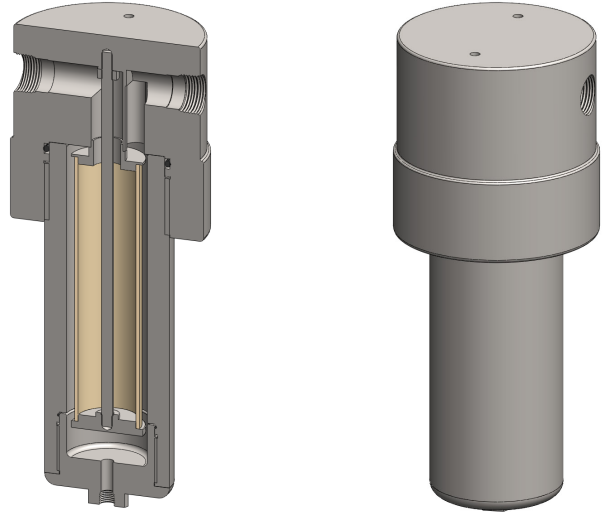
SS428 & SHS428 Filter Housing

| | |
|------------------|-----------------------------|
| Materials | 316L Stainless Steel |
| Pressure | 400 Bar |
| Ports | 1" to 2" |
| Element | 51.230.□ |

SS428 series filter housings are specified for 1" line size applications up to 400 bar. The SHS428 series are for 1&1/2" and 2" applications and are designed to have a full bore flow path to give higher flow rates. For applications less than 200 bar see the SS425 and SS426 series filter housings.

Standard housings have NPT ports and Viton seals. Other seal types are available as an option. BSPT and BSPP port types are also available.

The housings are free from welds and comply with NACE MR-01-75 and are CE marked in accordance with PED 2014/68/EU.



Technical Specifications

| Housing Model | SS428.621 | SS428.641 | SHS428.721 | SHS428.741 | SHS428.821 | SHS428.841 |
|--------------------------------------|------------|------------|------------|------------|------------|------------|
| Port Size | 1" NPT | 1" NPT | 1&1/2" NPT | 1&1/2" NPT | 2" NPT | 2" NPT |
| Drain | 1/4" NPT | 1/2" NPT | 1/4" NPT | 1/2" NPT | 1/4" NPT | 1/2" NPT |
| Maximum Pressure, Bar (1) | 400 | 400 | 400 | 400 | 400 | 400 |
| Maximum Temperature, °C (2) | 200 | 200 | 200 | 200 | 200 | 200 |
| Materials of Construction (3) | | | | | | |
| Head, Bowl & Internals | 316L SS | 316L SS | 316L SS | 316L SS | 316L SS | 316L SS |
| Seal (4) | Viton | Viton | Viton | Viton | Viton | Viton |
| Filter Element Code (5) | 51.230.□ | 51.230.□ | 51.230.□ | 51.230.□ | 51.230.□ | 51.230.□ |
| Adsorber Cartridge Code (6) | 51.230.AD□ | 51.230.AD□ | 51.230.AD□ | 51.230.AD□ | 51.230.AD□ | 51.230.AD□ |
| Principal Dimensions in mm | | | | | | |
| Diameter | 164 | 164 | 200 | 200 | 200 | 200 |
| Height | 390 | 390 | 488 | 488 | 498 | 498 |
| Volume, cc | 1060 | 1060 | 1650 | 1650 | 1650 | 1650 |
| Weight, kg | 34 | 34 | 64 | 64 | 67 | 67 |
| Accessories | | | | | | |
| Support Core | SC.SS42 | SC.SS42 | SC.SS42 | SC.SS42 | SC.SS42 | SC.SS42 |
| Mounting Bracket | MB.SS42 | MB.SS42 | MB.SHS428 | MB.SHS428 | MB.SHS428 | MB.SHS428 |

Notes

(1) Above 200°C the pressure rating is reduced, consult us for the exact rating at any specific temperature

(2) Maximum temperature 200°C using standard seal. For temperatures up to 324°C use a Chemraz seal

(3) Material abbreviations, 316L SS = 316L Stainless Steel

(4) Add suffix for other seal types, Chemraz = .C, Nitrile = .N, Kalrez = .K, EPDM = .E, Silicone = .S, (e.g. SS428.621.N)

(5) Replace the □ with the grade required, e.g. 51.230.5CK, 51.230.S20V, 51.230.T20

(6) Replace the □ with the type required, e.g. 51.230.AD01



Contact Us

Classic Filters Ltd.
Sextant Park
Neptune Close
Rochester
Kent
England
ME2 4LU

T +44 (0)1634 724224
F +44 (0)1634 724234
E info@classicfilters.com
W www.classicfilters.com

Follow Us



<http://www.linkedin.com/company/classic-filters-ltd.>



<http://www.twitter.com/classicfilters>