

Materials 316L SS & Pyrex Glass
Pressure 7 & 10 Bar
Ports 1/8" or 1/4"

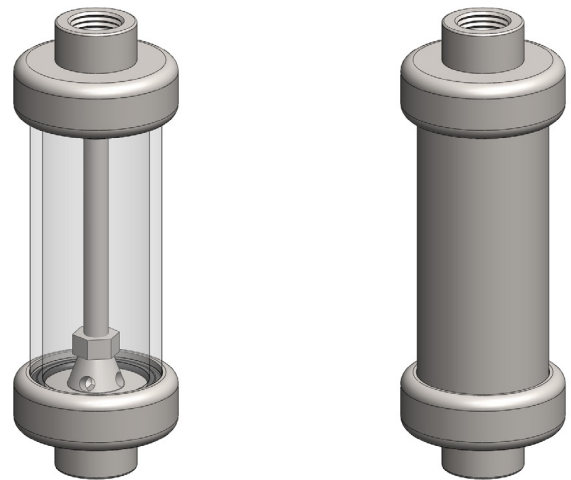
The DG121 & DS122 drain vessels are specified to increase the housing capacity in coalescing applications where an automatic float drain cannot be used.

The housings are constructed from 316L stainless steel with a stainless steel or glass bowl. The glass bowl is also fitted with a bowl guard, this is not shown.

Standard housings have NPT ports and include Viton seals. Other seal types are available as an option. BSPT and BSPP port types are also available.

The housings are free from welds and comply with NACE MR-01-75 and conform to SEP of PED 2014/68/EU.

These housings can also be supplied in a wide range of exotic materials, such as Hastelloy, Monel, Titanium etc.



Bowl guard not shown

Technical Specifications

| Housing Model | DG121.111 | DG121.221 | DS122.111 | DS122.221 |
|--------------------------------------|-----------|-----------|-----------|-----------|
| Port Size | 1/8" NPT | 1/4" NPT | 1/8" NPT | 1/4" NPT |
| Drain | 1/8" NPT | 1/4" NPT | 1/8" NPT | 1/4" NPT |
| Maximum Pressure, Bar | 7 | 7 | 10 | 10 |
| Maximum Temperature, °C (1) | 100 | 100 | 200 | 200 |
| Materials of Construction (2) | | | | |
| Head & Internals | 316L SS | 316L SS | 316L SS | 316L SS |
| Bowl | Pyrex | Pyrex | 316L SS | 316L SS |
| Seals (3) | Viton | Viton | Viton | Viton |
| Principal Dimensions in mm | | | | |
| Diameter | 40 | 40 | 40 | 40 |
| Height | 114 | 114 | 114 | 114 |
| Volume, cc | 35 | 35 | 35 | 35 |
| Weight, kg | 0.35 | 0.35 | 0.4 | 0.4 |

Notes

(1) Maximum temperature 200°C using standard seal. For temperatures up to 324°C use a Chemraz seal (not DG types)

(2) Material abbreviations, 316L SS = 316L Stainless Steel

(3) Add suffix for other seal types, PTFE = .T, Chemraz = .C, Nitrile = N, Kalrez = .K, EPDM = .E, Silicone = .S, (e.g. DG121.221.T)



Contact Us

Classic Filters Ltd.
Sextant Park
Neptune Close
Rochester
Kent
England
ME2 4LU

T +44 (0)1634 724224
F +44 (0)1634 724234
E info@classicfilters.com
W www.classicfilters.com

Follow Us



<http://www.linkedin.com/company/classic-filters-ltd.>



<http://www.twitter.com/classicfilters>