

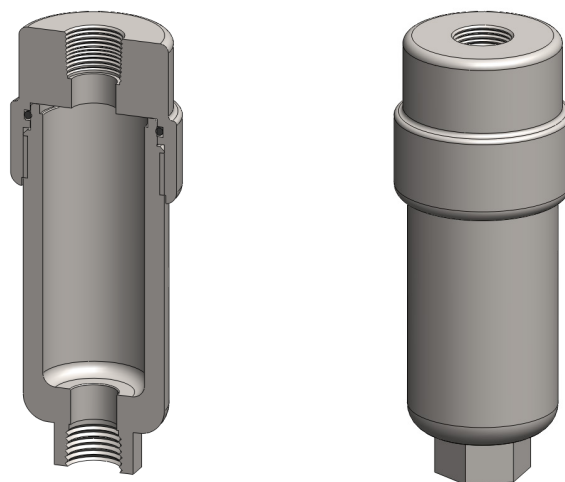
Materials 316L SS
Pressure 350 Bar
Ports 1/8" or 1/4"

The DS127 drain vessels are specified to increase the housing capacity in coalescing applications where an automatic float drain cannot be used. The housings are constructed from 316L stainless steel.

Standard housings have NPT ports and include Viton seals. Other seal types are available as an option. BSPT and BSPP port types are also available.

The housings are free from welds and comply with NACE MR-01-75 and are CE marked in accordance with PED 2014/68/EU.

These housings can also be supplied in a wide range of exotic materials, such as Hastelloy, Monel, Titanium etc.



Technical Specifications

Housing Model	DS127.111	DS127.221
Port Size	1/8" NPT	1/4" NPT
Drain	1/8" NPT	1/4" NPT
Maximum Pressure, Bar	350	350
Maximum Temperature, °C (1)	200	200
Materials of Construction (2)		
Head & Bowl	316L SS	316L SS
Seals (3)	Viton	Viton
Principal Dimensions in mm		
Diameter	40	40
Height	114	114
Volume, cc	35	35
Weight, kg	0.35	0.35

Notes

(1) Maximum temperature 200°C using standard seal. For temperatures up to 324°C use a Chemraz seal

(2) Material abbreviations, 316L SS = 316L Stainless Steel

(3) Add suffix for other seal types, PTFE = .T, Chemraz = .C, Nitrile = N, Kalrez = .K, EPDM = .E, Silicone = .S, (e.g. DS127.221.T)



Contact Us

Classic Filters Ltd.
Sextant Park
Neptune Close
Rochester
Kent
England
ME2 4LU

T +44 (0)1634 724224
F +44 (0)1634 724234
E info@classicfilters.com
W www.classicfilters.com

Follow Us



[http://www.linkedin.com/company/classic-filters-ltd.](http://www.linkedin.com/company/classic-filters-ltd)



<http://www.twitter.com/classicfilters>