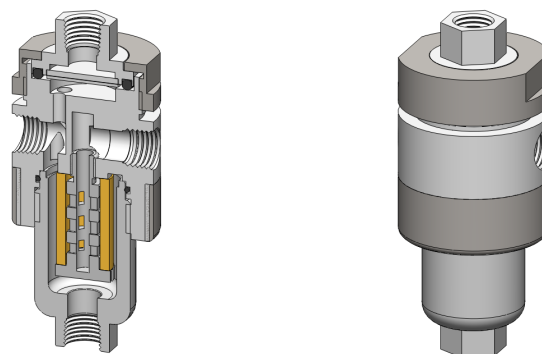


|                  |                     |
|------------------|---------------------|
| <b>Materials</b> | <b>PTFE</b>         |
| <b>Pressure</b>  | <b>7 Bar</b>        |
| <b>Ports</b>     | <b>1/8" or 1/4"</b> |
| <b>Element</b>   | <b>12.32.□</b>      |
| <b>Membrane</b>  | <b>MT.33.□</b>      |

FM111 combination housings have a coalescing filter element and a PTFE membrane in a single unit.

The porous PTFE membrane is supported by a sintered porous PTFE disc on the outlet side. The wet sample gas enters the inlet port and then through the coalescing element to remove the bulk of the liquid and solid particles and then to the membrane. Any liquid in the gas sample will flow to the drain port. This port can also be used as a bypass function for the main flow.

Standard housings have NPT ports and include Viton seals. Other seal types are available as an option. BSPT and BSPP port types are also available.



## Technical Specifications

| Housing Model                        | FM111.111 | FM111.221 |
|--------------------------------------|-----------|-----------|
| Port Size                            | 1/8" NPT  | 1/4" NPT  |
| Drain & Bypass Ports                 | 1/8" NPT  | 1/4" NPT  |
| Maximum Pressure, Bar                | 7         | 7         |
| Maximum Temperature, °C (1)          | 150       | 150       |
| <b>Materials of Construction (2)</b> |           |           |
| Head, Bowl & Internals               | PTFE      | PTFE      |
| Seals (3)                            | Viton     | Viton     |
| Filter Element Code (4)              | 12.32.□   | 12.32.□   |
| Membrane Code (5)                    | MT.33.□   | MT.33.□   |
| <b>Principal Dimensions in mm</b>    |           |           |
| Diameter                             | 50        | 50        |
| Height                               | 110       | 110       |
| Volume, cc                           | 35        | 35        |
| Weight, kg                           | 0.9       | 0.9       |
| <b>Accessories</b>                   |           |           |
| Mounting Bracket                     | MB.SM115  | MB.SM115  |

### Notes

- (1) Maximum temperature 150°C using standard seal
- (2) Material abbreviations, PTFE = Polytetrafluoroethylene
- (3) Add suffix for other seal types, PTFE = .T, Chemraz = .C, Nitrile = N, Kalrez = .K, EPDM = .E, Silicone = .S, (e.g. FM111.221.T)
- (4) Replace the □ with the element grade required, e.g. 12.32.5CK
- (5) Replace the □ with the membrane grade required, e.g. MT.33.M2



## Contact Us

**Classic Filters Ltd.**  
**Sextant Park**  
**Neptune Close**  
**Rochester**  
**Kent**  
**England**  
**ME2 4LU**

**T** +44 (0)1634 724224  
**F** +44 (0)1634 724234  
**E** [info@classicfilters.com](mailto:info@classicfilters.com)  
**W** [www.classicfilters.com](http://www.classicfilters.com)

## Follow Us



<http://www.linkedin.com/company/classic-filters-ltd.>



<http://www.twitter.com/classicfilters>