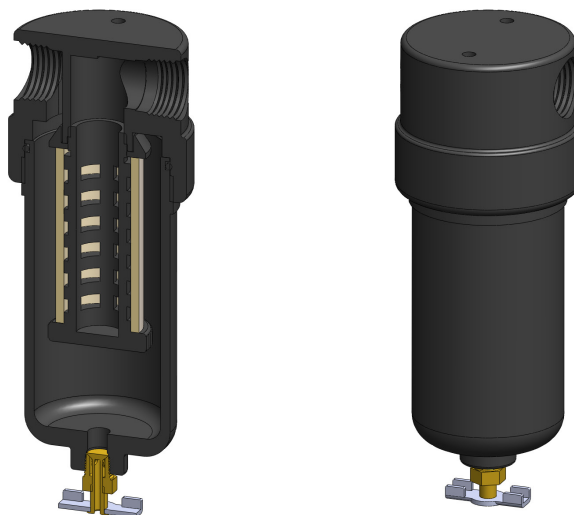


<b>Materials</b>	<b>Aluminium</b>
<b>Pressure</b>	<b>17 Bar</b>
<b>Ports</b>	<b>1/4" or 1/2"</b>
<b>Element</b>	<b>25.64.□</b>

AA213 series filter housings have an anodised aluminium head and bowl with polyamide internals.

They are supplied with 1/4" or 1/2" ports and have a range of drain options included an automatic version. These housings are suitable for compressed air systems and general filtration applications.

Standard housings have NPT ports and Viton seals. Other seal types are available as an option. BSPT and BSPP port types are also available.



## Technical Specifications

Housing Model	AA213.201	AA213.211	AA213.261	AA213.271	AA213.401	AA213.411	AA213.461	AA213.471
Port Size	1/4" NPT	1/4" NPT	1/4" NPT	1/4" NPT	1/2" NPT	1/2" NPT	1/2" NPT	1/2" NPT
Drain	None	1/8" NPT	Manual	Automatic	None	1/8" NPT	Manual	Automatic
Maximum Pressure, Bar	17	17	17	17	17	17	17	17
Maximum Temperature, °C	120	120	120	120	120	120	120	120
<b>Materials of Construction (1)</b>								
Head & Bowl	AL	AL	AL	AL	AL	AL	AL	AL
Internals	PA	PA	PA	PA	PA	PA	PA	PA
Seals (2)	Viton	Viton	Viton	Viton	Viton	Viton	Viton	Viton
Filter Element Code (3)	25.64.□	25.64.□	25.64.□	25.64.□	25.64.□	25.64.□	25.64.□	25.64.□
Adsorber Cartridge Code (4)	25.64.AT□	25.64.AT□	25.64.AT□	-	25.64.AT□	25.64.AT□	25.64.AT□	-
<b>Principal Dimensions in mm</b>								
Diameter	62	62	62	62	62	62	62	62
Height	151	151	164	164	151	151	164	164
Volume, cc	140	140	140	140	140	140	140	140
Weight, kg	0.45	0.45	0.45	0.45	0.45	0.45	0.45	0.45
<b>Accessories</b>								
Mounting Bracket	MB.SS21	MB.SS21	MB.SS21	MB.SS21	MB.SS21	MB.SS21	MB.SS21	MB.SS21

### Notes

(1) Material abbreviations, AL = Aluminium, PA = Polyamide

(2) Add suffix for other seal types, Chemraz = .C, Nitrile = N, Kalrez = .K, EPDM = .E, Silicone = .S, (e.g. AA213.201.E)

(3) Replace the □ with the grade required, e.g. 25.64.5CK, 25.64.S20V, 25.64.T20

(4) Replace the □ with the type required, e.g. 25.64.AT01. Adsorber cartridges are not suitable for housings with automatic drains



## Contact Us

**Classic Filters Ltd.**  
**Sextant Park**  
**Neptune Close**  
**Rochester**  
**Kent**  
**England**  
**ME2 4LU**

**T** +44 (0)1634 724224  
**F** +44 (0)1634 724234  
**E** [info@classicfilters.com](mailto:info@classicfilters.com)  
**W** [www.classicfilters.com](http://www.classicfilters.com)

## Follow Us



<http://www.linkedin.com/company/classic-filters-ltd.>



<http://www.twitter.com/classicfilters>