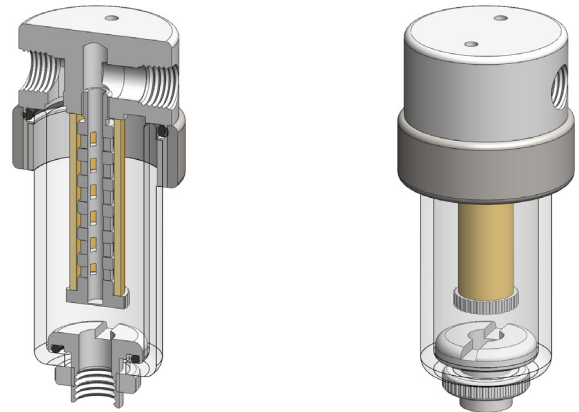


Materials	PTFE & Pyrex Glass
Pressure	7 Bar
Ports	1/8" or 1/4"
Element	12.57.□

FG121 series filter housings are constructed from PTFE, but uses a Pyrex glass bowl so that the element can be monitored. They are specified for 1/8" & 1/4" line size applications.

Standard housings have NPT ports and a Viton seal. Other seal types are available as an option. BSPT and BSPP port types are also available.

Due to the nature of PTFE, the housings are fitted with a 316L stainless steel collar on the outside of the head.



Technical Specifications

Housing Model	FG121.101	FG121.111	FG121.201	FG121.221
Port Size	1/8" NPT	1/8" NPT	1/4" NPT	1/4" NPT
Drain	None	1/8" NPT	None	1/4" NPT
Maximum Pressure, Bar	7	7	7	7
Maximum Temperature, °C	100	100	100	100
Materials of Construction (1)				
Head & Internals	PTFE	PTFE	PTFE	PTFE
Bowl	Pyrex Glass	Pyrex Glass	Pyrex Glass	Pyrex Glass
Seals (2)	Viton	Viton	Viton	Viton
Filter Element Code (3)	12.57.□	12.57.□	12.57.□	12.57.□
Adsorber Cartridge Code (4)	12.57.AT□	12.57.AT□	12.57.AT□	12.57.AT□
Principal Dimensions in mm				
Diameter	50	50	50	50
Height	120	120	120	120
Volume, cc	63	63	63	63
Weight, kg	0.12	0.12	0.12	0.12
Accessories				
Mounting Bracket	MB.SS11	MB.SS11	MB.SS11	MB.SS11

Notes

(1) Material abbreviations, PTFE = Polytetrafluoroethane

(2) Add suffix for other seal types, PTFE = .T, Chemraz = .C, Nitrile = N, Kalrez = .K, EPDM = .E, Silicone = .S, (e.g. FG121.221.T)

(3) Replace the □ with the grade required, e.g. 12.57.5CK, 12.57.T20

(4) Replace the □ with the type required, e.g. 12.57.AT01



Contact Us

Classic Filters Ltd.
Sextant Park
Neptune Close
Rochester
Kent
England
ME2 4LU

T +44 (0)1634 724224
F +44 (0)1634 724234
E info@classicfilters.com
W www.classicfilters.com

Follow Us



<http://www.linkedin.com/company/classic-filters-ltd.>



<http://www.twitter.com/classicfilters>