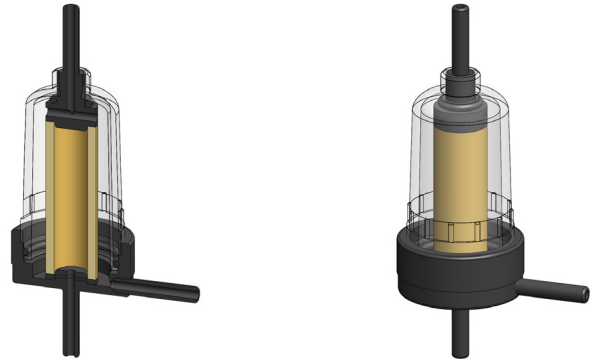


Materials	Polyamide
Pressure	7 Bar
Ports	Ø1/4" or 1/8" NPT
Element	12.57.□

NL121 series filter housings are constructed entirely from polyamide - the bowl uses a clear polyamide. They are supplied with 1/8" NPT ports or push-on type spigots. These housings are designed for coalescing applications and are ideal for portable analysers.

Standard housings have a Viton seal. Other seal types are available as an option. BSPT and BSPP port types are also available.



Technical Specifications

Housing Model	NL121.111	NL121.161	NL121.229	NL121.269
Port Size	1/8" NPT	1/8" NPT	Ø 1/4" Spigot	Ø 1/4" Spigot
Drain	1/8" NPT	Manual	Ø 1/4" Spigot	Manual
Maximum Pressure, Bar	7	7	7	7
Maximum Temperature, °C	50	50	50	50
Materials of Construction (1)				
Head, Bowl & Internals	PA	PA	PA	PA
Seals (2)	Viton	Viton	Viton	Viton
Filter Element Code (3)	12.57.□	12.57.□	12.57.□	12.57.□
Principal Dimensions in mm				
Diameter	45	45	45	45
Height	81	81	131	131
Volume, cc	55	55	55	55
Weight, kg	0.05	0.05	0.05	0.05

Notes

(1) Material abbreviations, PA = Polyamide

(2) Add suffix for other seal types, Chemraz = .C, Nitrile = N, Kalrez = .K, EPDM = .E, Silicone = .S, (e.g. NL121.111.E)

(3) Replace the □ with the grade required, e.g. 12.57.5CK, 12.57.T20



Contact Us

Classic Filters Ltd.
Sextant Park
Neptune Close
Rochester
Kent
England
ME2 4LU

T +44 (0)1634 724224
F +44 (0)1634 724234
E info@classicfilters.com
W www.classicfilters.com

Follow Us



<http://www.linkedin.com/company/classic-filters-ltd.>



<http://www.twitter.com/classicfilters>