

SS127.MG

Filter Housing with Magnet

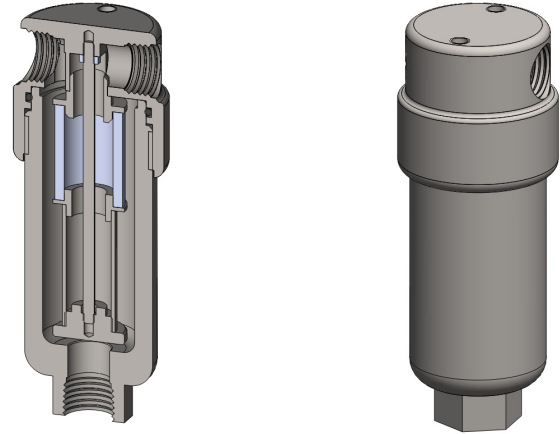
Materials	316L Stainless Steel
Pressure	5000 psi
Ports	1/8", 1/4" & 1/2"
Element	12.32.□
Magnet	13/18.25.MAG

SS127.MG series filter housings are based on our standard SS127 series and have both a filter element and neodymium magnet in one housing.

Special and custom housing can also be supplied with internal arrangements to suit specific applications.

Standard housings have NPT ports and a Viton seal. Other seal types are available as an option. BSPT and BSPP port types are also available.

The housings are free from welds and comply with NACE MR-01-75 and are CE marked in accordance with PED 2014/68/EU.



Technical Specifications

Housing Model	SS127.101.MG	SS127.111.MG	SS127.201.MG	SS127.221.MG	SS127.401.MG	SS127.421.MG
Port Size	1/8" NPT	1/8" NPT	1/4" NPT	1/4" NPT	1/2" NPT	1/2" NPT
Drain	None	1/8" NPT	None	1/4" NPT	None	1/4" NPT
Maximum Pressure, psi (1)	5000	5000	5000	5000	5000	5000
Maximum Temperature, °F (2)	390	390	390	390	390	390
Materials of Construction (3)						
Head, Bowl & Internals	316L SS	316L SS	316L SS	316L SS	316L SS	316L SS
Seal (4)	Viton	Viton	Viton	Viton	Viton	Viton
Filter Element Code (5)	12.32.□	12.32.□	12.32.□	12.32.□	12.32.□	12.32.□
Magnet Code	13/18.25.MAG	13/18.25.MAG	13/18.25.MAG	13/18.25.MAG	13/18.25.MAG	13/18.25.MAG
Principle Dimensions in inches						
Diameter	1.40	1.40	1.40	1.40	1.95	1.95
Height	4.05	4.05	4.05	4.05	4.55	4.55
Volume, cc	35	35	35	35	37.5	37.5
Weight, lbs	1.10	1.10	1.10	1.10	1.90	1.90
Accessories						
Support Core	SC.SS11	SC.SS11	SC.SS11	SC.SS11	SC.SS11	SC.SS11
Mounting Bracket	MB.SS11	MB.SS11	MB.SS11	MB.SS11	MB.SS21	MB.SS21

Notes

- (1) Above 390°F the pressure rating is reduced, consult us for the exact rating at any specific temperature
- (2) Maximum temperature 390°F using standard seal. For temperatures up to 615°F use a Chemraz seal
- (3) Material abbreviations, 316L SS = 316L Stainless Steel
- (4) Add suffix for other seal types, PTFE = .T, Chemraz = .C, Nitrile = .N, Kalrez = .K, EPDM = .E, Silicone = .S, (e.g. SS127.221.T.MG)
- (5) Replace the □ with the grade required, e.g. 12.32.SS100, 12.32.S20V,



Contact Us

Classic Filters Ltd.
Sextant Park
Neptune Close
Rochester
Kent
England
ME2 4LU

T +44 (0)1634 724224
F +44 (0)1634 724234
E info@classicfilters.com
W www.classicfilters.com

Follow Us



[http://www.linkedin.com/company/classic-filters-ltd.](http://www.linkedin.com/company/classic-filters-ltd)



<http://www.twitter.com/classicfilters>