

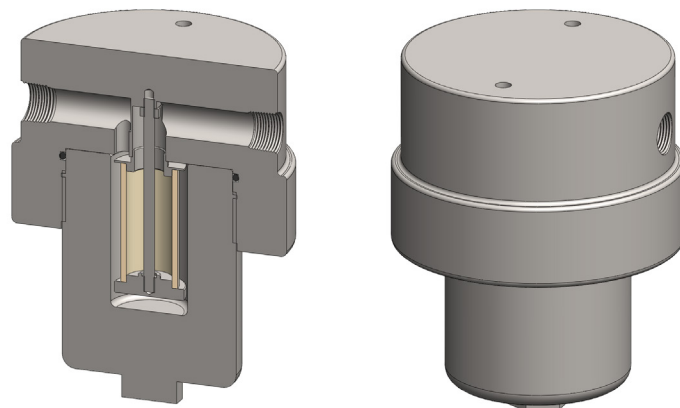
**Materials** 316L Stainless Steel  
**Pressure** 10000 psi  
**Ports** 1/4" or 1/2"  
**Element** 25.64.□

SS219 series filter housings are specified for 10000 psi 1/4" line size applications and for 1/2" applications where response time must be kept short. If the flow rate or contamination is high, or where service intervals must be kept as long as possible, SS239 series housings should be considered. For applications at lower pressures see the SS215, SS216, and SS218 series housings.

Standard housings have NPT ports and a Viton seal. Other seal types are available as an option. BSPT and BSPP port types are also available.

The housings are free from welds and comply with NACE MR-01-75 and are CE marked in accordance with PED 2014/68/EU.

These housings can also be supplied in a wide range of exotic materials, such as Hastelloy, Monel, Titanium etc.



## Technical Specifications

Housing Model	SS219.201	SS219.221	SS219.401	SS219.421	SS219.441
Port Size	1/4" NPT	1/4" NPT	1/2" NPT	1/2" NPT	1/2" NPT
Drain	None	1/4" NPT	None	1/4" NPT	1/2" NPT
Maximum Pressure, psi (1)	10000	10000	10000	10000	10000
Maximum Temperature, °F (2)	390	390	390	390	390
<b>Materials of Construction (3)</b>					
Head, Bowl & Internals	316L SS	316L SS	316L SS	316L SS	316L SS
Seal (4)	Viton	Viton	Viton	Viton	Viton
Filter Element Code (5)	25.64.□	25.64.□	25.64.□	25.64.□	25.64.□
Adsorber Cartridge Code (6)	25.64.AD□	25.64.AD□	25.64.AD□	25.64.AD□	25.64.AD□
<b>Principle Dimensions in inches</b>					
Diameter	5.50	5.50	5.50	5.50	5.50
Height	7.35	7.35	7.35	7.35	7.35
Volume, cc	175	175	175	175	175
Weight, lbs	35.65	35.65	35.65	35.65	35.65
<b>Accessories</b>					
Support Core	SC.SS21	SC.SS21	SC.SS21	SC.SS21	SC.SS21
Mounting Bracket	MB.SS219	MB.SS219	MB.SS219	MB.SS219	MB.SS219

### Notes

- (1) Above 390°F the pressure rating is reduced, consult us for the exact rating at any specific temperature
- (2) Maximum temperature 390°F using standard seal. For temperatures up to 615°F use a Chemraz seal
- (3) Material abbreviations, 316L SS = 316L Stainless Steel
- (4) Add suffix for other seal types, PTFE = .T, Chemraz = .C, Nitrile = N, Kalrez = .K, EPDM = .E, Silicone = .S, (e.g. SS219.221.T)
- (5) Replace the □ with the grade required, e.g. 25.64.5CK, 25.64.S20V, 25.64.T20
- (6) Replace the □ with the type required, e.g. 25.64.AD01



## Contact Us

Classic Filters Ltd.  
Sextant Park  
Neptune Close  
Rochester  
Kent  
England  
ME2 4LU

T +44 (0)1634 724224  
F +44 (0)1634 724234  
E [info@classicfilters.com](mailto:info@classicfilters.com)  
W [www.classicfilters.com](http://www.classicfilters.com)

## Follow Us



[http://www.linkedin.com/company/classic-filters-ltd.](http://www.linkedin.com/company/classic-filters-ltd)



<http://www.twitter.com/classicfilters>