

Materials 316L Stainless Steel
Pressure 1500 psi
Ports 1/4", 1/2" or 3/4"
Element 25.178.□

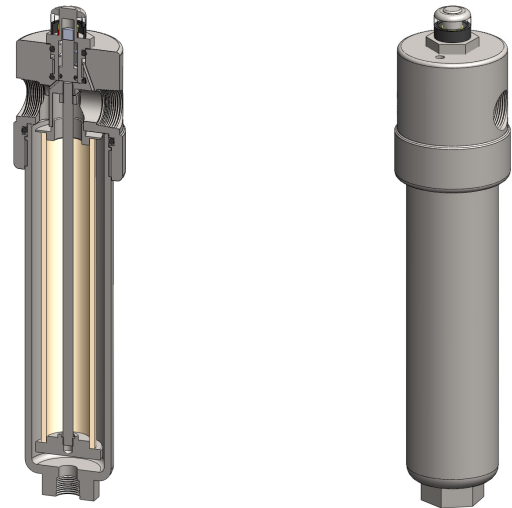
SiS235 series filter housings with differential pressure indicators are specified for 1/4" & 1/2" line size applications where contamination or flow rate is high. Higher pressure versions are available for applications over 1500 psi, see the SiS236 and SiS238 series housings. The SiS235 series offers a more compact design for lower flow rates.

Standard housings have NPT ports and a Viton seal. Other seal types are available as an option. BSPT and BSPP port types are also available.

The housings are free from welds and comply with NACE MR-01-75 and conform to SEP of PED 2014/68/EU.

These housings can also be supplied in a wide range of exotic materials, such as Hastelloy, Monel, Titanium etc.

See data sheet CF/2.1a/139 for more details about the DPI.



Technical Specifications

Housing Model (1)	SiS235.201	SiS235.221	SiS235.401	SiS235.421	SiS235.441	SiS235.501	SiS235.521	SiS235.541
Port Size	1/4" NPT	1/4" NPT	1/2" NPT	1/2" NPT	1/2" NPT	3/4" NPT	3/4" NPT	3/4" NPT
Drain	None	1/4" NPT	None	1/4" NPT	1/2" NPT	None	1/4" NPT	1/2" NPT
Maximum Pressure, psi	1500	1500	1500	1500	1500	1500	1500	1500
Maximum Temperature, °F (2)	200	200	200	200	200	200	200	200
Materials of Construction (3)								
Head, Bowl & Internals	316L SS	316L SS	316L SS	316L SS	316L SS	316L SS	316L SS	316L SS
Magnet (4)	Neodymium	Neodymium	Neodymium	Neodymium	Neodymium	Neodymium	Neodymium	Neodymium
Cover	Acrylic	Acrylic	Acrylic	Acrylic	Acrylic	Acrylic	Acrylic	Acrylic
Seals (5)	Viton	Viton	Viton	Viton	Viton	Viton	Viton	Viton
Filter Element Code (6)	25.178.□	25.178.□	25.178.□	25.178.□	25.178.□	25.178.□	25.178.□	25.178.□
Principle Dimensions in inches								
Diameter	2.35	2.35	2.35	2.35	2.35	2.75	2.75	2.75
Height	11.05	11.05	11.05	11.05	11.05	11.60	11.60	11.60
Volume, cc	265	265	265	265	265	270	270	270
Weight, lbs	5.30	5.30	5.30	5.30	5.30	8.80	8.80	8.80
Accessories								
Support Core	SC.SS23	SC.SS23	SC.SS23	SC.SS23	SC.SS23	SC.SS23	SC.SS23	SC.SS23
Mounting Bracket	MBSIS21	MBSIS21	MBSIS21	MBSIS21	MBSIS21	MBSIS21	MBSIS21	MBSIS21

Notes

- (1) Change part number to SeS235 for the electrical DPI version
- (2) Maximum temperature 200°F due to differential pressure indicator
- (3) Material abbreviations, 316L SS = 316L Stainless Steel
- (4) The magnet is electroplated with Ni-Cu-Ni
- (5) Add suffix for other seal types, Chemraz = .C, Nitrile = N, Kalrez = .K, EPDM = .E, Silicone = .S, (e.g. SiS235.221.E)
- (6) Replace the □ with the grade required, e.g. 25.178.5CK, 25.178.S20V, 25.178.T20



Contact Us

Classic Filters Ltd.
Sextant Park
Neptune Close
Rochester
Kent
England
ME2 4LU

T +44 (0)1634 724224
F +44 (0)1634 724234
E info@classicfilters.com
W www.classicfilters.com

Follow Us



<http://www.linkedin.com/company/classic-filters-ltd.>



<http://www.twitter.com/classicfilters>